



For Technical support visit us at [www.sunsetter.com/ownerscorner](http://www.sunsetter.com/ownerscorner)  
or call Toll Free 800-670-7071 • Fax 877-224-4944

## WeatherBreaker Front Panel For Non-Motorized SunSetter Awnings INSTALLATION INSTRUCTIONS

1. Set the awning in the open position as desired.
2. Model 900XT and 1000XT awnings: Rotate the left end cap on the roller bar to align with the accessory slot.  
Model 900 and 1000 awnings: Remove the Pull-Down Strap from the roller bar by sliding it out of the slot on the left side.
3. Carefully insert the front panel into the open slot in the roller bar.
4. Using the grommets on the bottom of the Weatherbreaker front panel, secure it to the deck or rail using bungee cords or ropes (not supplied).

**NOTE:** Remove the WeatherBreaker before rolling the awning up. Model 900 and 1000 awnings: Insert the Pull-Down Strap back into the slot before rolling the awning up.

**WARNING –** When leaving the awning open unattended, even with the WeatherBreaker installed, you must lower one arm or both to create enough drop (front to back) to prevent rain from accumulating on the fabric. If the awning is used with both arms in the vertical position, you must bring at least one arm back to the wall bracket, and then lower it.

**Note:** If you purchased a set of Patio Lights with your WeatherBreaker, please be sure to refer to the Patio Lights installation instructions. These instructions will explain how to hang the Patio Lights with the Weatherbreaker installed in the accessory slot - see Figure 1.

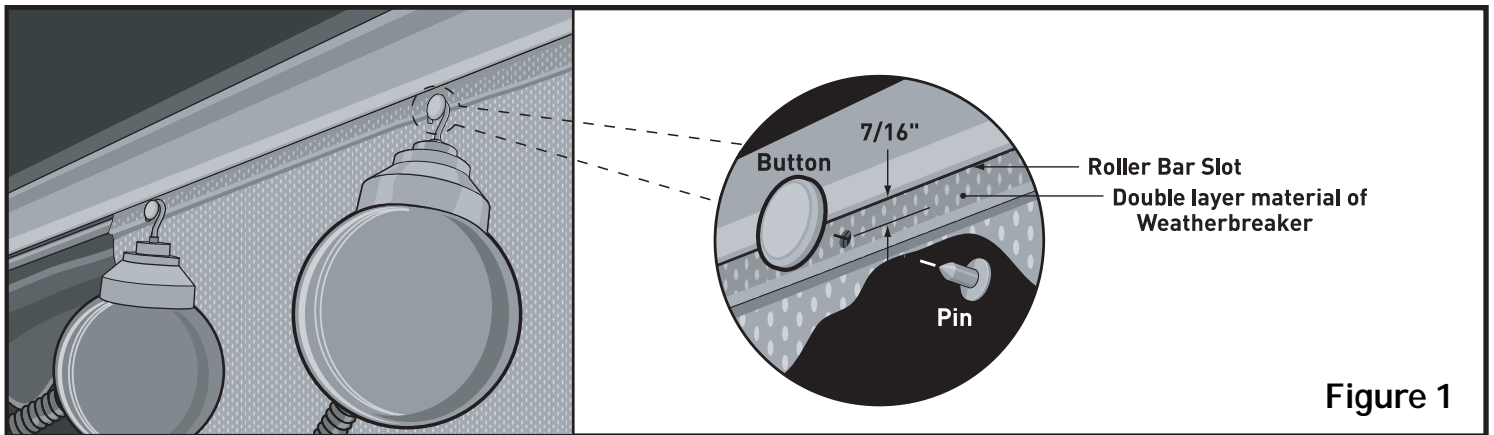


Figure 1

## WeatherBreaker Front Panel For Motorized SunSetter Awning INSTALLATION INSTRUCTIONS

1. Extend the awning to the desired open position.
2. Carefully insert the front panel into the open slot in the front bar.
3. Using the grommets on the bottom of the Weatherbreaker front panel, secure it to the deck or rail using bungee cords or ropes (not supplied).

**NOTE:** Remove the Weatherbreaker front panel before closing the awning.

**WARNING: DO NOT LEAVE YOUR MOTORIZED AWNING EXTENDED UNATTENDED OR DURING EXCESSIVE WINDY OR RAINY CONDITIONS.**

**Note:** If you purchased a set of Patio Lights with your WeatherBreaker, please be sure to refer to the Patio Lights installation instructions. These instructions will explain how to hang the Patio Lights with the Weatherbreaker installed in the accessory slot - see Figure 1.